

General Series SLA Battery

General Series

General Series Valve Regulated Lead Acid batteries are designed with AGM (Absorbent Glass Mat) technology, high performance plates and electrolyte to gain extra power output for common power backup system applications widely used in the field of UPS, Emergency Lighting System.

Application

- Alarm System
- Cable Television
- Communication Equipment
- Control Equipment
- Security System
- Medical Equipment
- UPS
- Power tools
- Emergency Power System
- Toys

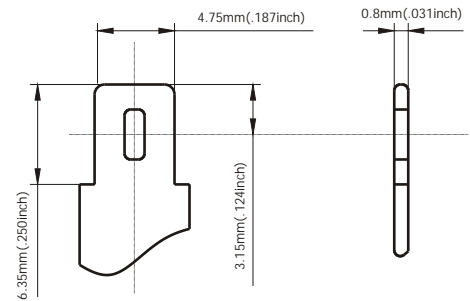


General Features

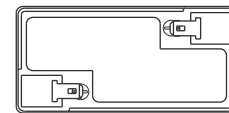
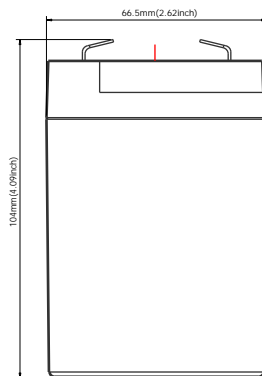
- Sealed and maintenance free operation.
- Non-Spillable construction design.
- ABS containers and covers(UL94HB, UL94V-0) optional.
- Safety valve installation for explosion proof.
- High quality and high reliability.
- Exceptional deep discharge recovery performance.
- Low self discharge characteristic.
- Flexibility design for multiple install positions.

Construction

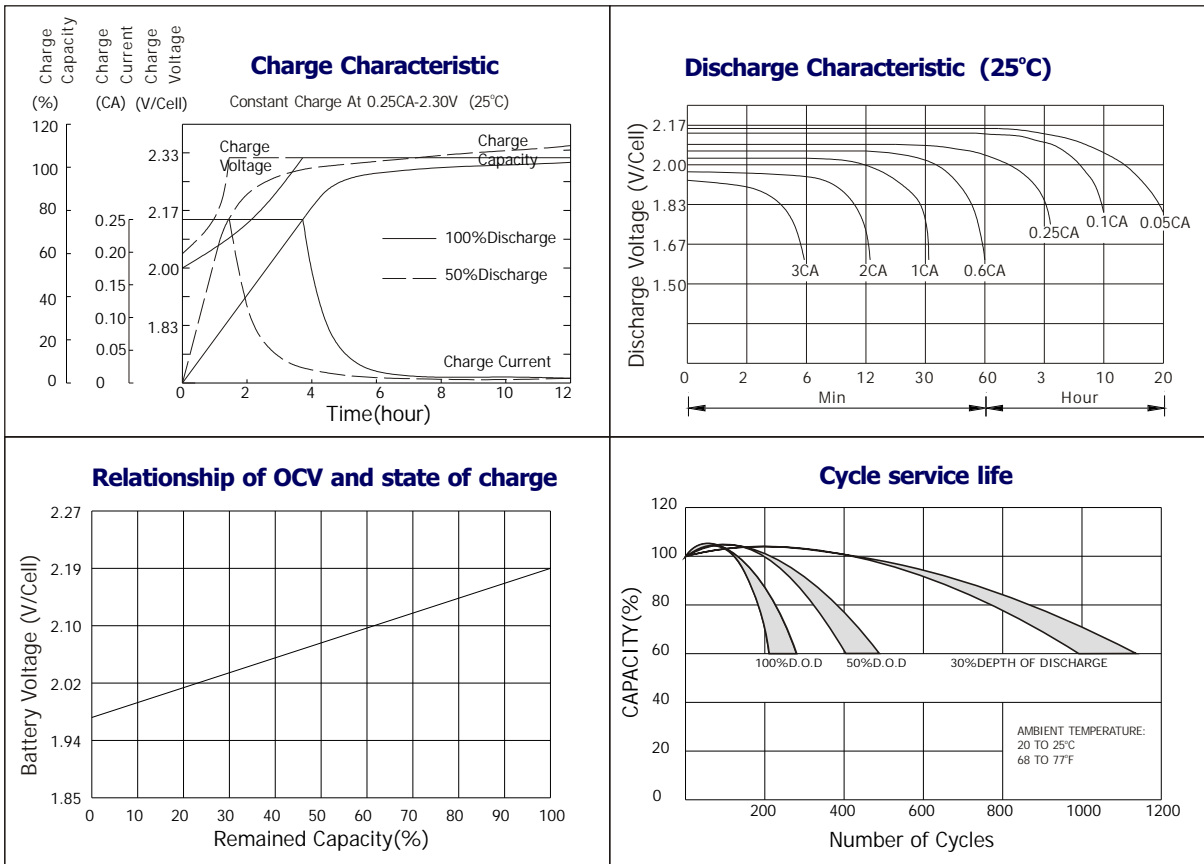
- ComponentRaw material
- PositiveLead dioxide
- NegativeLead
- ContainerABS
- CoverABS
- SealantEpoxy Resin
- Safety valveEPDR
- TerminalCopper
- SeparatorFiber glass
- ElectrolyteSulfuric acid



Terminal Dimensions



Battery Model	GB6-2.8			
Designed Floating Life	5 Years			
Capacity(25°C)	20HR(0.14A,1.75V)	10HR(0.26A,1.75V)	5HR(0.47A,1.75V)	1HR(1.82A,1.75V)
	2.8AH	2.6AH	2.35AH	1.82AH
Dimensions	Length	Width	Height	Total Height
	66mm(2.60inch)	33mm(1.30inch)	98mm(3.86inch)	108.5mm(4.27inch)
Approx. Weight	0.61Kg (1.34 lbs)			
Internal Resistance	Full charged at 25°C: 0.038 Ohm			
Self Discharge	3% of capacity declined per month at (25°C)			
Capacity Affected by Temp.(20HR)	40°C	25°C	0°C	-15°C
	102%	100%	85%	65%
Charge Voltage(25°C)	Cycle use		Float use	
	7.2-7.5V(-15mV/ °C), max. Current: 0.84A		6.8-6.9V(-10mV/ °C)	



Constant current discharge ratings-amperes at 25°C

F.V/T ime	5 MIN	10 MIN	15 MIN	30 MIN	1 HR	3 HR	5 HR	10 HR	20 HR
1.60V	10.94	6.81	5.13	3.13	1.99	0.87	0.53	0.30	0.16
1.67V	10.27	6.46	4.94	2.99	1.96	0.84	0.52	0.30	0.15
1.70V	9.41	6.22	4.82	2.72	1.90	0.78	0.51	0.29	0.15
1.75V	9.22	6.03	4.67	2.59	1.81	0.76	0.50	0.29	0.15
1.80V	8.25	5.76	4.24	2.40	1.70	0.73	0.47	0.29	0.14
1.85V	7.28	5.48	3.81	2.21	1.58	0.70	0.44	0.28	0.14

Constant power discharge ratings-watts at 25°C

F.V/T ime	5 MIN	10 MIN	15 MIN	30 MIN	1 HR	3 HR	5 HR	10 HR	20 HR
1.60V	19.2	12.3	9.37	5.64	3.59	1.55	0.90	0.60	0.31
1.67V	18.5	12.0	9.26	5.52	3.57	1.50	0.90	0.59	0.30
1.70V	17.4	11.9	9.18	5.17	3.50	1.43	0.89	0.59	0.30
1.75V	17.5	11.8	9.10	5.02	3.44	1.40	0.88	0.58	0.29
1.80V	16.1	11.6	8.44	4.78	3.24	1.36	0.85	0.57	0.28
1.85V	14.6	11.1	7.65	4.48	3.05	1.32	0.82	0.57	0.27

