

OPzV Series SLA Battery

Opzv Series

Bosfa Opzv Series Valve Regulated Lead Acid batteries are designed with a proven combination of GEL and Tubular technologies to offer a very high lever of reliability. Opzv batteries benefit from an optimized plate design which gives capacities in excess of the DIN standard values. In addition, this series offers both a longest float life and a high cycle life in widely industrial field.

Application

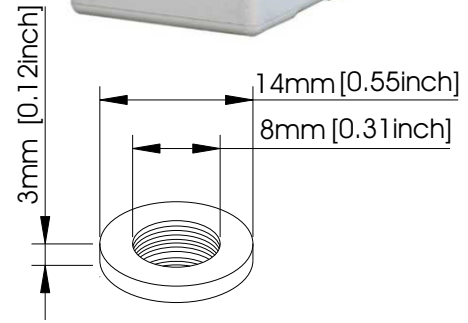
- | | |
|--------------------|---------------------------|
| Telecommunications | Medical Equipment |
| Cable Television | UPS |
| Electric Utility | Railroad Utility |
| Control Equipment | Photovoltaic System |
| Security System | Alternative Energy System |

General Features

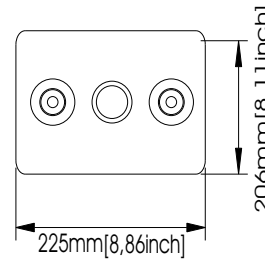
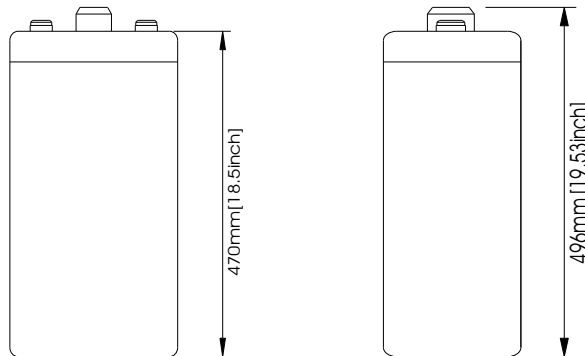
- Sealed and maintenance free operation.
- Non-Spillable construction design.
- ABS containers and covers(UL94HB, UL94V-0) optional.
- Safety valve installation for explosion proof.
- High quality and high reliability.
- Super long service life.
- Lowest self discharge characteristic.
- Super reliability.

Construction

- | | | | |
|-----------|-------------------|--------------|---------------------------------------|
| Component |Raw material | Sealant |Epoxy Resin |
| Positive |Lead dioxide | Safety valve |EPDR |
| Negative |Lead | Terminal |Copper |
| Container |ABS | Separator |PVC-SiO ₂ |
| Cover |ABS | Electrolyte |Sulfuric acid
Thixotropic Gel |

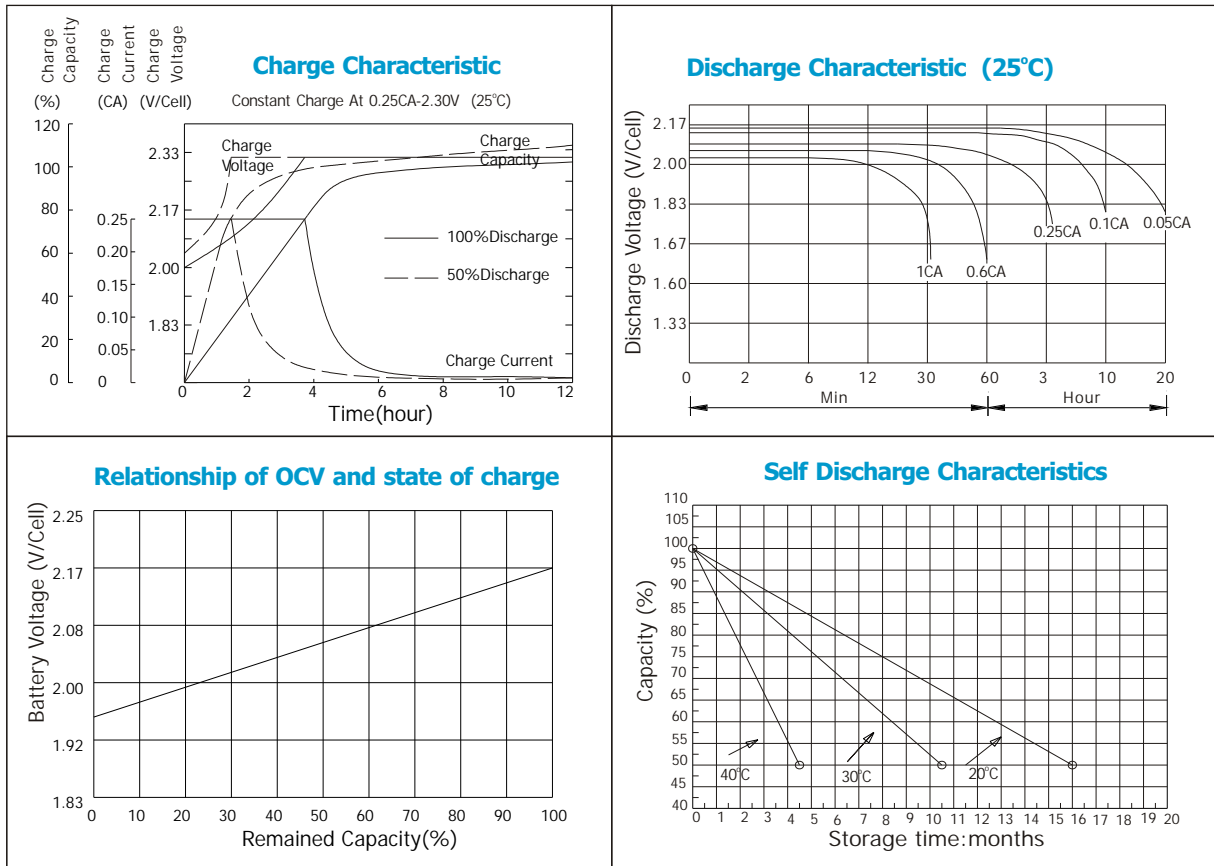


Terminal Dimensions



Battery Model	OPzV 2-770			
Designed Floating Life	15 Years			
Capacity(25°C)	20HR(39.6A,1.75V)	10HR(77A,1.75V)	5HR(131A,1.75V)	1HR(487A,1.75V)
	792AH	770AH	655AH	487AH
Dimensions	Length	Width	Height	Total Height
	225mm(8.86inch)	206mm(8.11inch)	470mm(18.51inch)	496mm(19.53inch)
Approx. Weight	65.5 Kg (144.43 lbs)			
Internal Resistance	Full charged at 25°C: 0.00063 Ohm			
Self Discharge	3% of capacity declined per month at (25°C)			
Capacity Affected by Temp.(20HR)	40°C	25°C	0°C	-15°C
	102%	100%	85%	65%
Charge Voltage(25°C)	Cycle use		Float use	
	2.3V-2.35V(-5mV/ °C), max. Current: 154A		2.25-2.27V(-3.3mV/ °C)	

OPzV Series SLA Battery



Constant current discharge ratings-amperes at 25°C

F.V/Time	15MIN	30MIN	1HR	2HR	3HR	5HR	8HR	10HR	20HR
1.70V	816	662	450	310	205	136	94.4	79.6	42.5
1.75V	723	601	431	268	201	135	94.0	78.3	42.4
1.80V	631	539	400	256	193	133	92.5	77.0	42.3
1.83V	569	485	369	247	188	130	90.6	75.1	42.0
1.87V	462	424	331	227	176	125	86.3	71.9	41.9
1.90V	400	377	300	212	166	119	82.9	68.7	40.0

Constant power discharge ratings-watts at 25°C

F.V/Time	5MIN	10MIN	15MIN	30MIN	1HR	3HR	5HR	10HR	20HR
1.70V	1406	1145	816	589	412	282	188	153	87.0
1.75V	1295	1099	850	509	402	278	184	151	85.3
1.80V	1147	1034	749	495	388	273	182	148	84.9
1.83V	1054	885	690	472	382	258	172	145	83.9
1.87V	998	837	672	472	376	257	168	141	83.6
1.90V	828	769	611	455	341	246	161	133	78.4

