

OPzS Series SLA Battery

Opzs Series

Bosfa Opzs Series Lead Acid batteries are designed with a combination of die-casting Tubular positive framework and superfluous electrolyte technologies to offer a very high lever of reliability and a long service life. Opzs batteries used special filter and proof design to ensure no acid fog runs over and burning proof, and also convenient examine and maintenance.

Application

- | | |
|--------------------|---------------------------|
| Telecommunications | Medical Equipment |
| Cable Television | UPS |
| Electric Utility | Railroad Utility |
| Control Equipment | Photovoltaic System |
| Security System | Alternative Energy System |

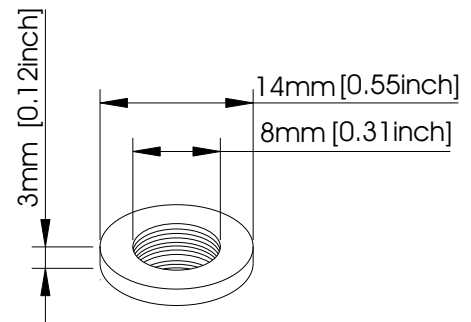


General Features

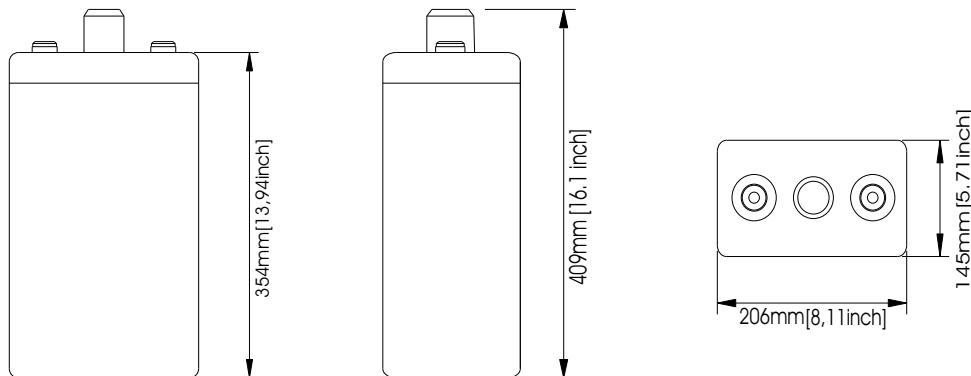
- Maintenance convenient.
- Non-Spillable construction design.
- Transparent containers, convenient to observe.
- Special filter installation for acid fog proof.
- High quality and high reliability.
- Super long service life.
- Special pole sealed technology.
- Super reliability.

Construction

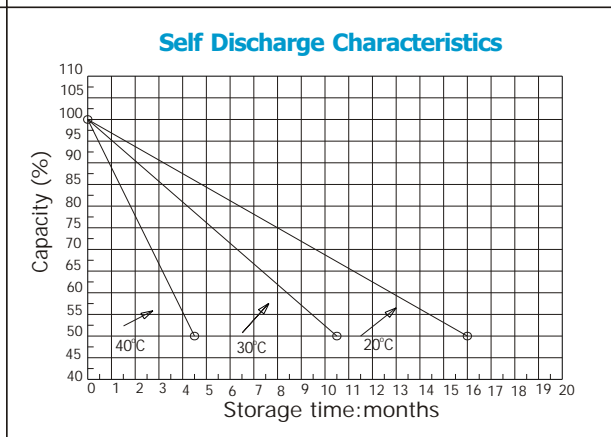
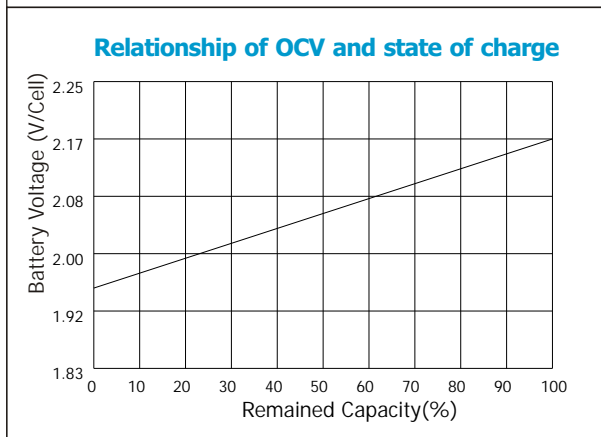
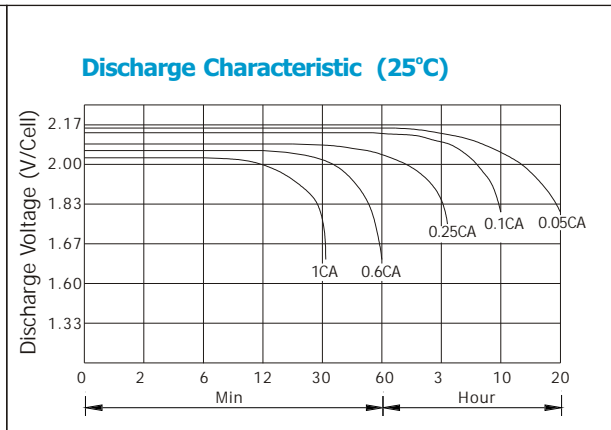
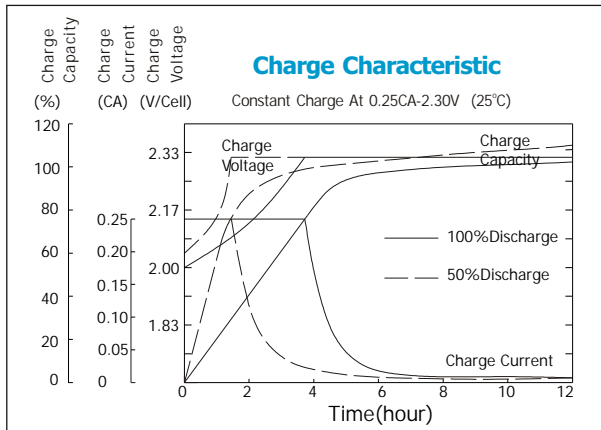
- | | | | |
|-----------------|--------------|-------------------|---------------|
| Component | Raw material | Terminal | Copper |
| Positive | Lead dioxide | Separator | Rubber-PVC |
| Negative | Lead | Electrolyte | Sulfuric acid |
| Container | AS | | |
| Cover | AS | | |



Terminal Dimensions



| | | | | |
|----------------------------------|---|-----------------|-------------------------------------|-----------------|
| Battery Model | OPzS 2-300 | | | |
| Designed Floating Life | 15 Years | | | |
| Capacity(25°C) | 24HR(15.6A,1.75V) | 10HR(30A,1.75V) | 5HR(51.5A,1.75V) | 1HR(159A,1.75V) |
| | 375AH | 300AH | 258AH | 159AH |
| Dimensions | Length | Width | Height | Total Height |
| | 145mm(5.71inch) | 206mm(8.11inch) | 354mm(13.94inch) | 409mm(16.1inch) |
| Approx. Weight | Without electrolyte:19.2 Kg (42.3 lbs) | | with electrolyte: 24.3Kg(53.58 lbs) | |
| Internal Resistance | Full charged at 25°C: 0.00075 Ohm | | | |
| Self Discharge | 3% of capacity declined per month at (25°C) | | | |
| Capacity Affected by Temp.(20HR) | 40°C | 25°C | 0°C | -15°C |
| | 102% | 100% | 85% | 65% |
| Charge Voltage(25°C) | Cycle use | | Float use | |
| | 2.35V-2.4V(-5mV/ °C), max. Current: 90A | | 2.24V(-3.3mV/ °C) | |



Constant current discharge ratings-amperes at 25°C

| TIME | 1HR | 3HR | 5HR | 10HR | 24HR | 48HR | 72HR | 96HR | 120HR | 240HR |
|-----------------|------|------|------|------|------|------|------|------|-------|-------|
| CUT-OFF VOLTAGE | 1.67 | 1.75 | 1.77 | 1.80 | 1.85 | 1.85 | 1.85 | 1.85 | 1.85 | 1.85 |
| CAPACITY(AH) | 159 | 225 | 258 | 300 | 375 | 402 | 420 | 422 | 425 | 430 |

Constant power discharge ratings-watts at 25°C

| TIME | 1HR | 3HR | 5HR | 10HR | 24HR | 48HR | 72HR | 96HR | 120HR | 240HR |
|-----------------|------|------|------|------|------|------|------|------|-------|-------|
| CUT-OFF VOLTAGE | 1.67 | 1.75 | 1.77 | 1.80 | 1.85 | 1.85 | 1.85 | 1.85 | 1.85 | 1.85 |
| CAPACITY(WH) | 277 | 432 | 506 | 567 | 645 | 691 | 722 | 726 | 731 | 740 |

