

Deep Cycle SLA Battery

DC SERIES

DC (Deep cycle) Series batteries are designed for deep discharge application, with special chemical formula for plates active paste material, slightly stronger electrolyte and low temperature design, which can withstand repeated deep cyclic application, such as Solar Energy System, Golf Trolley, Electric vehicle, etc.

Application

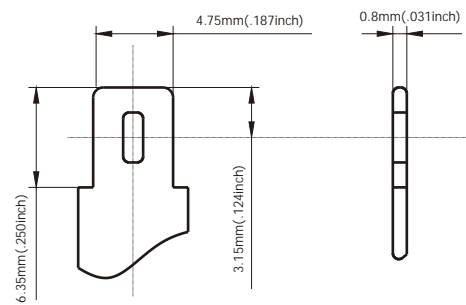
- Solar Energy System
- Golf Cars and Buggies
- Electric Powered Vehicles
- Wheel Chairs
- Power Tools
- Electric Powered Toys
- Control System
- Vacuum Cleaners
- Medical Equipments
- UPS

General Features

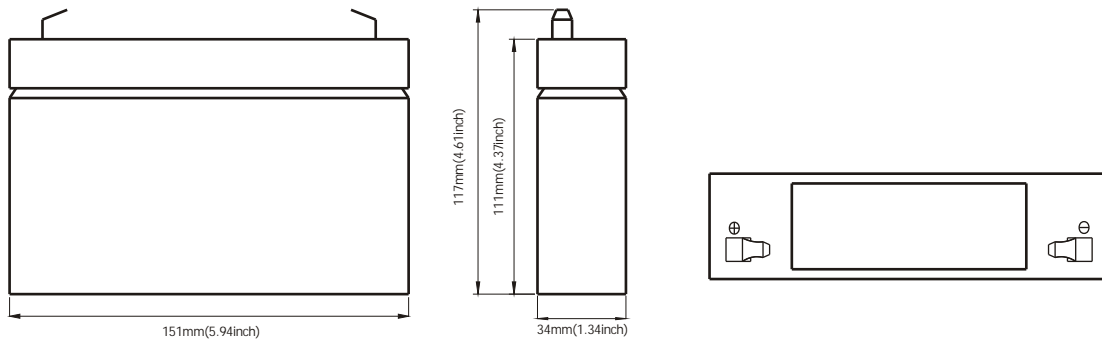
- Sealed and maintenance free operation.
- Non-Spillable construction design.
- ABS containers and covers(UL94HB, UL94V-0) optional.
- Safety valve installation for explosion proof.
- High quality and high reliability.
- Exceptional deep discharge recovery performance.
- Low self discharge characteristic.
- Flexibility design for multiple install positions.

Construction

- ComponentRaw material
- PositiveLead dioxide
- NegativeLead
- ContainerABS
- CoverABS
- SealantEpoxy Resin
- Safety valveEPDR
- TerminalCopper
- SeparatorFibre glass
- ElectrolyteSulfuric acid

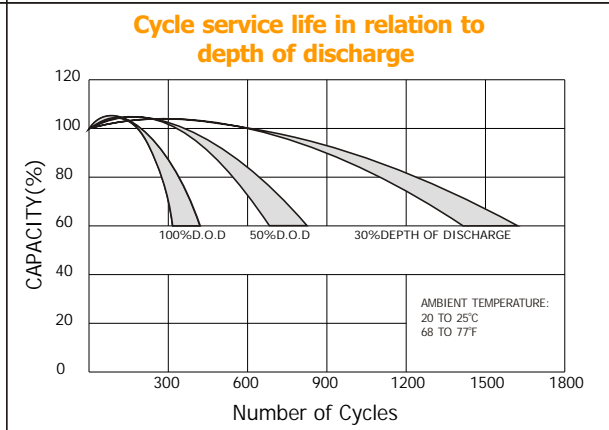
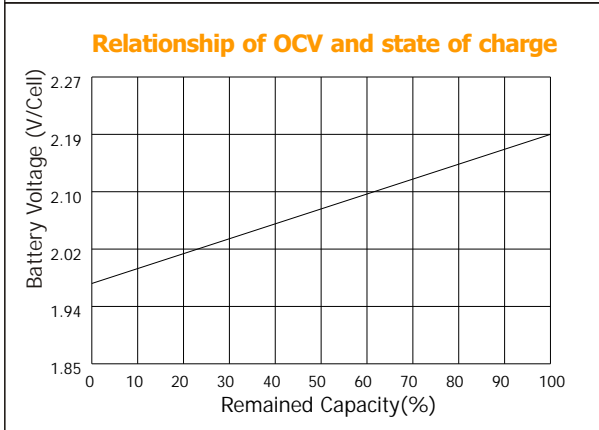
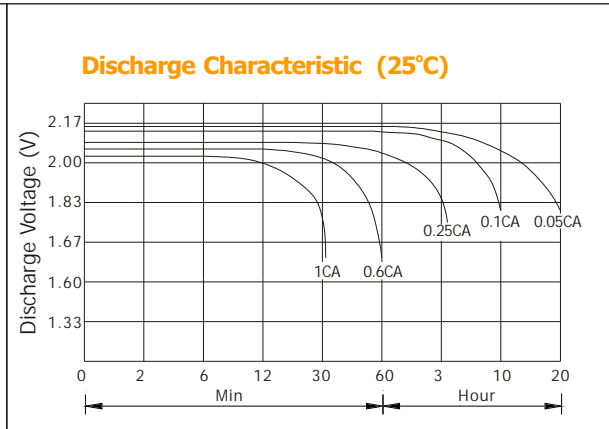
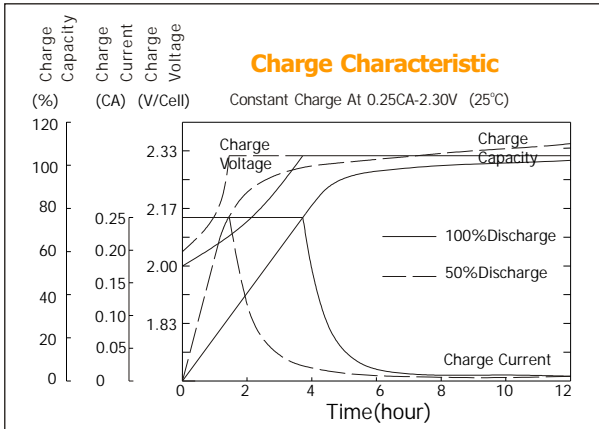


Terminal Dimensions



Battery Model	DC 6-7.2			
Designed Cycle Life	> 350 cycles @ -0.5CA to 4.8V			
Capacity(25°C)	20HR(0.36A,1.75V)	10HR(0.69A,1.75V)	5HR(1.22A,1.75V)	1HR(4.68A,1.75V)
	7.2AH	6.9AH	6.1AH	4.68AH
Dimensions	Length	Width	Height	Total Height
	151mm(5.94inch)	34mm(1.34inch)	94mm(3.7 inch)	100mm(3.94inch)
Approx. Weight	1.2Kg (2.65 lbs)			
Internal Resistance	Full charged at 25°C: 0.013 Ohm			
Self Discharge	3% of capacity declined per month at (25°C)			
Capacity Affected by Temp.(20HR)	40°C	25°C	0°C	-15°C
	102%	100%	85%	65%
Charge Voltage(25°C)	Cycle use		Float use	
	7.2-7.5V(-15mV/ °C), max. Current: 2.16A		6.8-6.9V(-10mV/ °C)	

Deep Cycle SLA Battery



Constant current discharge ratings-amperes at 25°C

F. V/Time	5MIN	10MIN	15MIN	30MIN	1HR	3HR	5HR	10HR	20HR
1.60V	34.4	21.4	16.1	9.84	5.01	2.20	1.34	0.73	0.40
1.67V	32.3	20.3	15.5	9.41	5.77	2.12	1.32	0.73	0.38
1.70V	29.6	19.6	15.2	8.56	5.60	1.97	1.29	0.72	0.38
1.75V	29.0	18.9	14.7	8.13	5.33	1.91	1.26	0.72	0.37
1.80V	25.9	18.1	13.3	7.53	4.99	1.83	1.18	0.71	0.36
1.85V	22.9	17.2	12.0	6.93	4.65	1.77	1.11	0.70	0.35

Constant power discharge ratings-watts at 25°C

F. V/Time	5MIN	10MIN	15MIN	30MIN	1HR	3HR	5HR	10HR	20HR
1.60V	60.3	38.6	29.5	17.7	11.3	3.90	2.27	1.50	0.79
1.67V	58.2	37.7	29.1	17.4	11.2	3.78	2.26	1.50	0.76
1.70V	54.8	37.3	28.8	16.3	11.0	3.61	2.23	1.49	0.75
1.75V	55.2	37.2	28.6	15.8	10.8	3.53	2.21	1.47	0.73
1.80V	50.5	36.6	26.5	15.0	10.2	3.42	2.15	1.45	0.71
1.85V	45.8	34.7	24.1	14.1	9.59	3.32	2.08	1.43	0.69

