

OPzV Series SLA Battery

**Opzv Series**

Bosfa Opzv Series Valve Regulated Lead Acid batteries are designed with a proven combination of GEL and Tubular technologies to offer a very high lever of reliability. Opzv batteries benefit from an optimized plate design which gives capacities in excess of the DIN standard values. In addition, this series offers both a longest float life and a high cycle life in widely industrial field.

**Application**

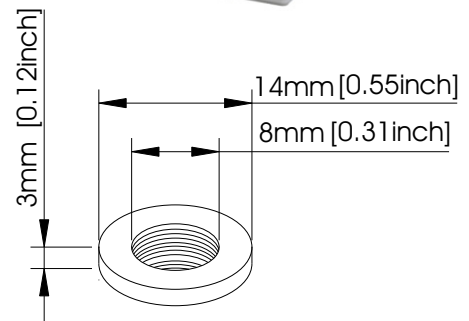
- |                    |                           |
|--------------------|---------------------------|
| Telecommunications | Medical Equipment         |
| Cable Television   | UPS                       |
| Electric Utility   | Railroad Utility          |
| Control Equipment  | Photovoltaic System       |
| Security System    | Alternative Energy System |

**General Features**

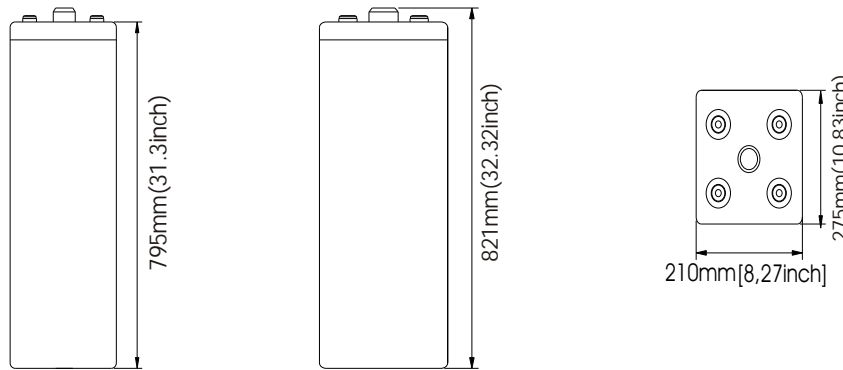
- Sealed and maintenance free operation.
- Non-Spillable construction design.
- ABS containers and covers(UL94HB, UL94V-0) optional.
- Safety valve installation for explosion proof.
- High quality and high reliability.
- Super long service life.
- Lowest self discharge characteristic.
- Super reliability.

**Construction**

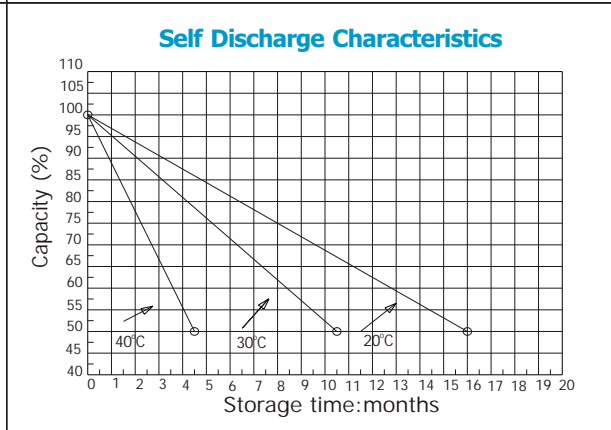
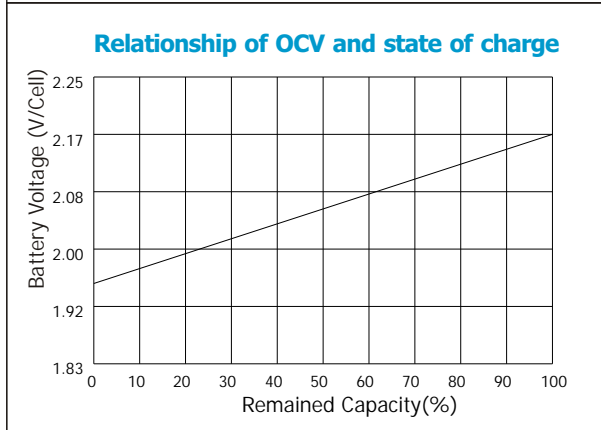
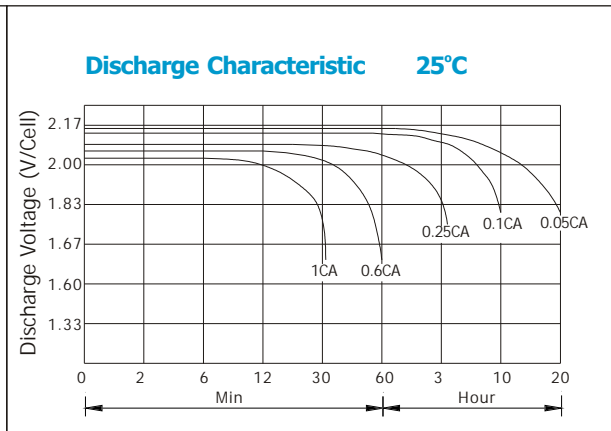
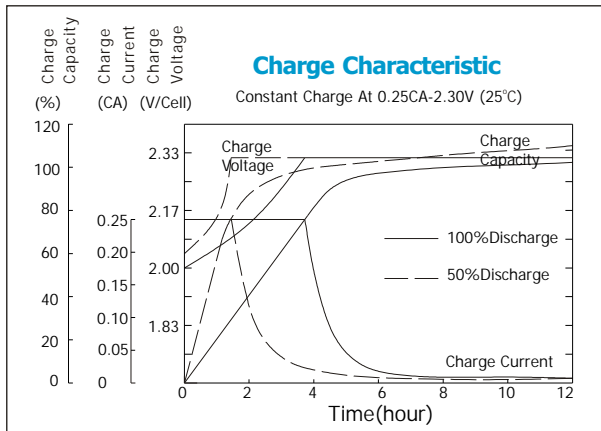
- |           |                   |              |                                       |
|-----------|-------------------|--------------|---------------------------------------|
| Component | .....Raw material | Sealant      | .....Epoxy Resin                      |
| Positive  | .....Lead dioxide | Safety valve | .....EPDR                             |
| Negative  | .....Lead         | Terminal     | .....Copper                           |
| Container | .....ABS          | Separator    | .....PVC-SiO <sub>2</sub>             |
| Cover     | .....ABS          | Electrolyte  | .....Sulfuric acid<br>Thixotropic Gel |



**Terminal Dimensions**



Battery Model	OPzV 2-1500			
Designed Floating Life	15 Years			
Capacity(25°C)	20HR(77A,1.75V)	10HR(150A,1.75V)	5HR(270A,1.75V)	1HR(960A,1.75V)
	1540AH	1500AH	1350AH	960AH
Dimensions	Length	Width	Height	Total Height
	275mm(10.83inch)	210mm(8.27inch)	795mm(31.3inch)	821mm(32.32inch)
Approx. Weight	120Kg (264.60 lbs)			
Internal Resistance	Full charged at 25°C: 0.00053 Ohm			
Self Discharge	3% of capacity declined per month at (25°C)			
Capacity Affected by Temp.(20HR)	40°C	25°C	0°C	-15°C
	102%	100%	85%	65%
Charge Voltage(25°C)	Cycle use		Float use	
	2.3V-2.35V(-5mV/ °C), max. Current: 300A		2.25-2.27V(-3.3mV/ °C)	



**Constant current discharge ratings-amperes at 25°C**

F.V/Time	15MIN	30MIN	1HR	2HR	3HR	5HR	8HR	10HR	20HR
1.70V	1368	1164	876	567	420	279	186	154	93.9
1.75V	1200	1056	825	540	403	272	185	153	92.8
1.80V	1008	924	738	507	390	263	180	150	89.9
1.83V	912	840	678	480	372	254	172	144	88.1
1.87V	720	720	594	432	340	233	163	136	79.7
1.90V	600	600	522	390	308	212	154	128	74.8

**Constant power discharge ratings-watts at 25°C**

F.V/Time	15MIN	30MIN	1HR	2HR	3HR	5HR	8HR	10HR	20HR
1.70V	2294	1894	1415	1017	787	565	383	300	183
1.75V	2032	1660	1362	1048	774	549	371	295	179
1.80V	1651	1582	1227	984	753	530	346	272	163
1.83V	1567	1350	1220	936	722	498	330	270	160
1.87V	1253	1232	1175	828	655	452	306	252	148
1.90V	1205	1209	1034	755	590	388	289	241	141

