

OPzV Series SLA Battery

Opzv Series

Bosfa Opzv Series Valve Regulated Lead Acid batteries are designed with a proven combination of GEL and Tubular technologies to offer a very high lever of reliability. Opzv batteries benefit from an optimized plate design which gives capacities in excess of the DIN standard values. In addition, this series offers both a longest float life and a high cycle life in widely industrial field.

Application

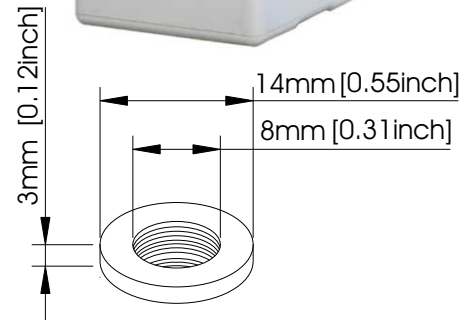
- | | |
|--------------------|---------------------------|
| Telecommunications | Medical Equipment |
| Cable Television | UPS |
| Electric Utility | Railroad Utility |
| Control Equipment | Photovoltaic System |
| Security System | Alternative Energy System |

General Features

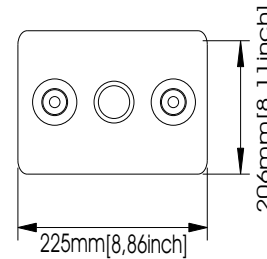
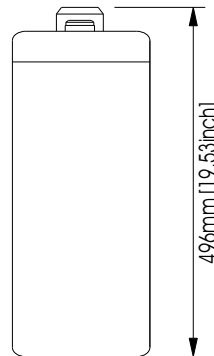
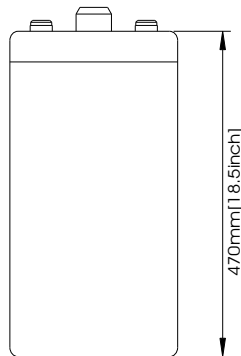
- Sealed and maintenance free operation.
- Non-Spillable construction design.
- ABS containers and covers(UL94HB, UL94V-0) optional.
- Safety valve installation for explosion proof.
- High quality and high reliability.
- Super long service life.
- Lowest self discharge characteristic.
- Super reliability.

Construction

- | | | | |
|-----------|-------------------|--------------|---------------------------------------|
| Component |Raw material | Sealant |Epoxy Resin |
| Positive |Lead dioxide | Safety valve |EPDR |
| Negative |Lead | Terminal |Copper |
| Container |ABS | Separator |PVC-SiO ₂ |
| Cover |ABS | Electrolyte |Sulfuric acid
Thixotropic Gel |

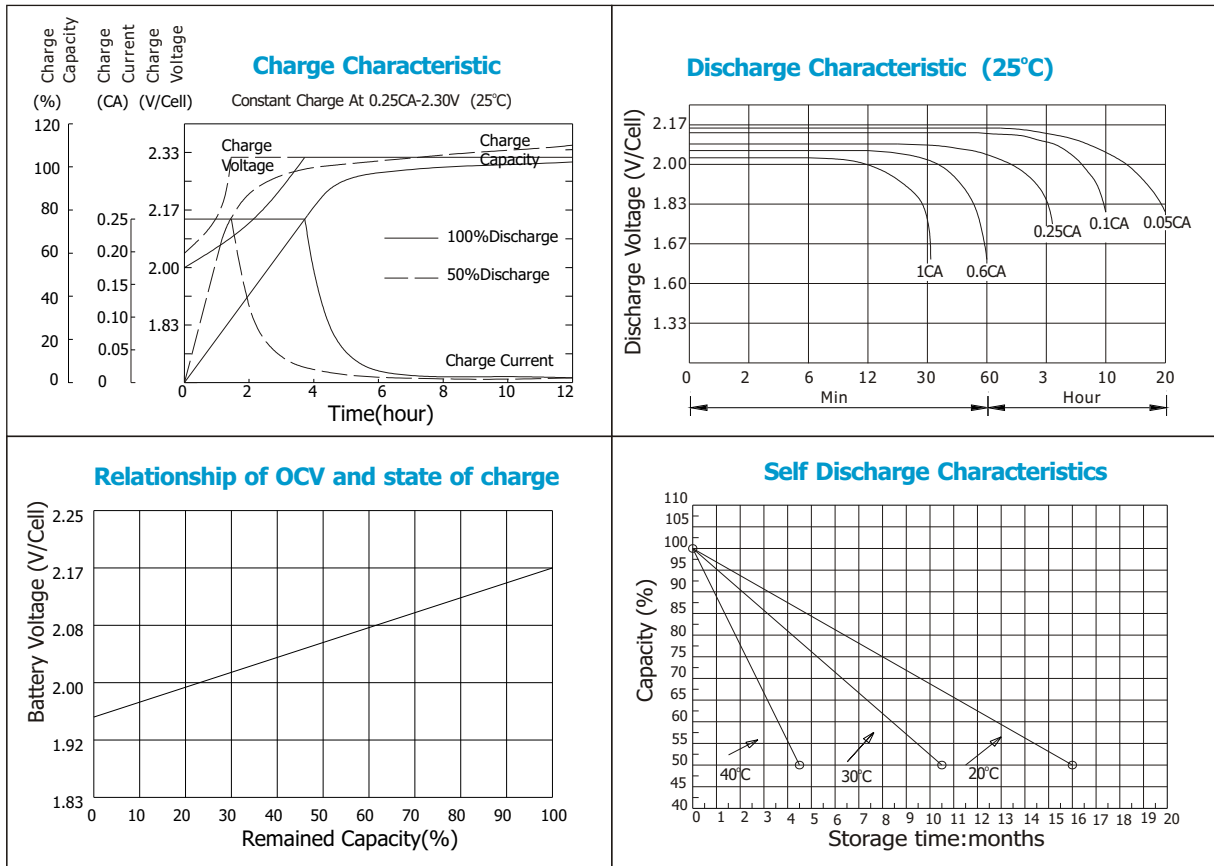


Terminal Dimensions



Battery Model	OPzV 2-700			
Designed Floating Life	15 Years			
Capacity(25°C)	20HR(36A,1.75V)	10HR(70A,1.75V)	5HR(119A,1.75V)	1HR(443A,1.75V)
	720AH	700AH	595AH	443AH
Dimensions	Length	Width	Height	Total Height
	225mm(8.86inch)	206mm(8.11inch)	470mm(18.51inch)	496mm(19.53inch)
Approx. Weight	59.5 Kg (131.20 lbs)			
Internal Resistance	Full charged at 25°C: 0.00063 Ohm			
Self Discharge	3% of capacity declined per month at (25°C)			
Capacity Affected by Temp.(20HR)	40°C	25°C	0°C	-15°C
	102%	100%	85%	65%
Charge Voltage(25°C)	Cycle use		Float use	
	2.3V-2.35V(-5mV/ °C), max. Current: 140A		2.25-2.27V(-3.3mV/ °C)	

OPzV Series SLA Battery



Constant current discharge ratings-amperes at 25°C

F.V/Time	15MIN	30MIN	1HR	2HR	3HR	5HR	8HR	10HR	20HR
1.70V	742	602	409	282	186	124	85.7	72.3	38.5
1.75V	658	546	392	242	182	123	85.4	71.1	38.2
1.80V	574	490	364	232	175	121	84.0	70.0	38.0
1.83V	518	441	336	224	170	119	82.2	68.2	35.5
1.87V	420	385	301	206	160	113	78.4	65.3	35.4
1.90V	364	343	273	192	151	107	75.2	62.4	34.0

Constant power discharge ratings-watts at 25°C

F.V/Time	5MIN	10MIN	15MIN	30MIN	1HR	3HR	5HR	10HR	20HR
1.70V	1279	1041	742	535	375	257	170	139	78.8
1.75V	1178	999	774	460	365	252	167	137	76.9
1.80V	1043	940	682	449	352	248	165	135	76.3
1.83V	959	804	628	429	346	236	157	132	70.9
1.87V	908	761	612	428	341	232	152	128	70.7
1.90V	753	699	556	412	310	222	146	120	66.6

