

OPzV Series SLA Battery

Opzv Series

Bosfa Opzv Series Valve Regulated Lead Acid batteries are designed with a proven combination of GEL and Tubular technologies to offer a very high lever of reliability. Opzv batteries benefit from an optimized plate design which gives capacities in excess of the DIN standard values. In addition, this series offers both a longest float life and a high cycle life in widely industrial field.

Application

- | | |
|--------------------|---------------------------|
| Telecommunications | Medical Equipment |
| Cable Television | UPS |
| Electric Utility | Railroad Utility |
| Control Equipment | Photovoltaic System |
| Security System | Alternative Energy System |

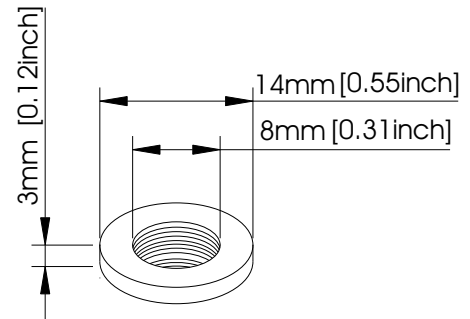


General Features

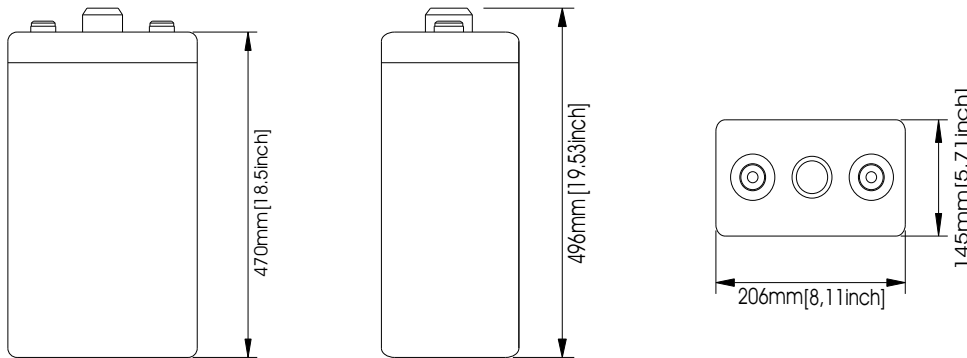
- Sealed and maintenance free operation.
- Non-Spillable construction design.
- ABS containers and covers(UL94HB, UL94V-0) optional.
- Safety valve installation for explosion proof.
- High quality and high reliability.
- Super long service life.
- Lowest self discharge characteristic.
- Super reliability.

Construction

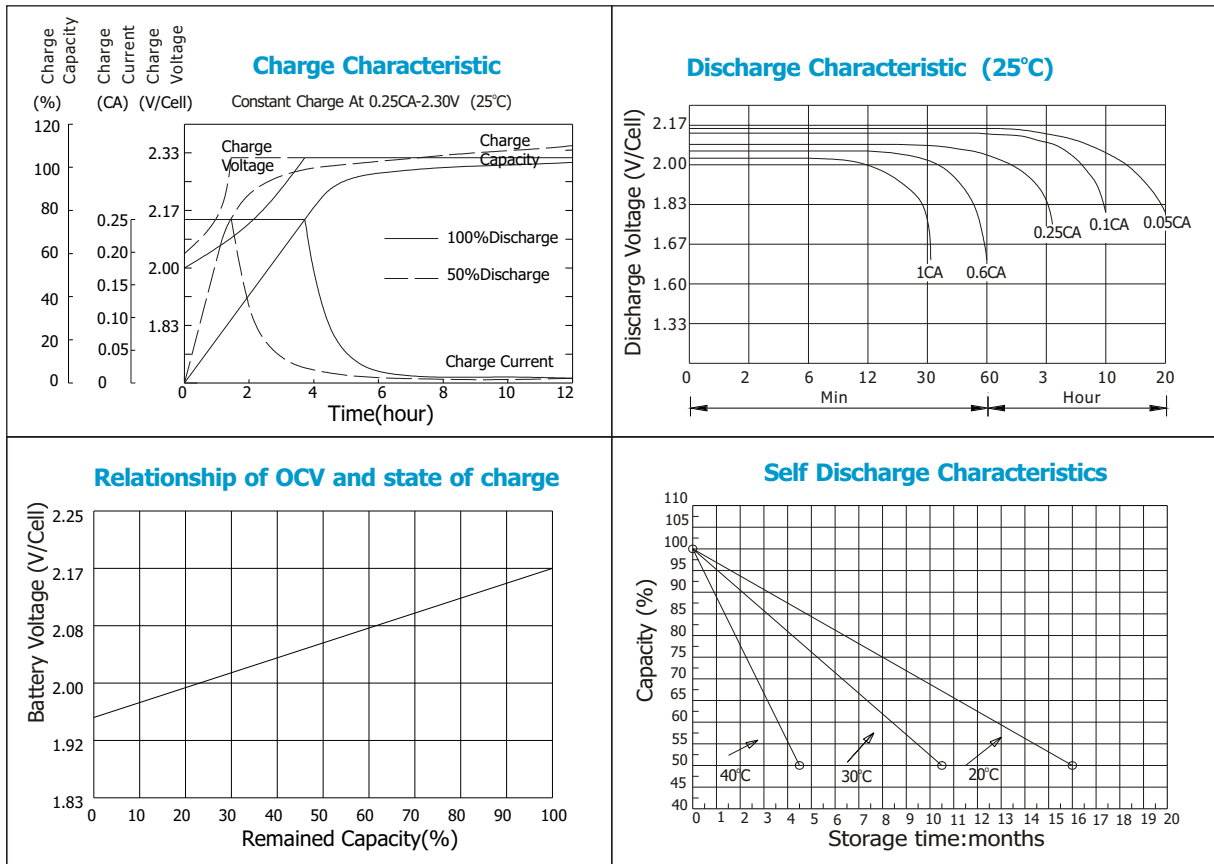
- | | | | |
|-----------|-------------------|--------------|------------------------------------|
| Component |Raw material | Sealant |Epoxy Resin |
| Positive |Lead dioxide | Safety valve |EPDR |
| Negative |Lead | Terminal |Copper |
| Container |ABS | Separator |PVC-SiO ₂ |
| Cover |ABS | Electrolyte |Sulfuric acid Thixotropic Gel |



Terminal Dimensions



Battery Model	OPzV 2-420			
Designed Floating Life	15 Years			
Capacity(25°C)	20HR(22A,1.75V)	10HR(42A,1.75V)	5HR(75.6A,1.75V)	1HR(267A,1.75V)
	440AH	420AH	378AH	267AH
Dimensions	Length	Width	Height	Total Height
	145mm(5.71inch)	206mm(8.11inch)	470mm(18.5inch)	496mm(19.53inch)
Approx. Weight	36Kg (79.38 lbs)			
Internal Resistance	Full charged at 25°C: 0.0007 Ohm			
Self Discharge	3% of capacity declined per month at (25°C)			
Capacity Affected by Temp.(20HR)	40°C	25°C	0°C	-15°C
	102%	100%	85%	65%
Charge Voltage(25°C)	Cycle use		Float use	
	2.3V-2.35V(-5mV/ °C), max. Current: 84A		2.25-2.27V(-3.3mV/ °C)	



Constant current discharge ratings-amperes at 25°C

F.V/Time	15MIN	30MIN	1HR	2HR	3HR	5HR	8HR	10HR	20HR
1.70V	490	375	225	150	111	76.5	53.0	45.0	26.3
1.75V	442	348	235	146	109	75.6	52.8	44.5	26.2
1.80V	384	318	222	141	105	73.8	51.6	42.5	25.6
1.83V	348	293	210	136	102	72.0	51.0	42.4	25.4
1.87V	300	260	191	128	97.0	68.0	48.6	40.8	25.3
1.90V	250	234	174	117	91.0	64.0	47.0	39.0	23.1

Constant power discharge ratings-watts at 25°C

F.V/Time	15MIN	30MIN	1HR	2HR	3HR	5HR	8HR	10HR	20HR
1.70V	803	653	406	294	199	134	95.0	82.8	48.3
1.75V	707	610	408	284	200	133	95.1	82.7	48.7
1.80V	588	545	400	258	192	130	93.1	79.7	47.9
1.83V	610	476	378	257	190	125	90.3	79.8	47.8
1.87V	462	401	344	236	178	117	83.7	76.2	47.2
1.90V	445	429	334	211	154	109	81.3	73.0	43.2

