

**OPzV Series SLA Battery**

**Opzv Series**

Bosfa Opzv Series Valve Regulated Lead Acid batteries are designed with a proven combination of GEL and Tubular technologies to offer a very high lever of reliability. Opzv batteries benefit from an optimized plate design which gives capacities in excess of the DIN standard values. In addition, this series offers both a longest float life and a high cycle life in widely industrial field.

**Application**

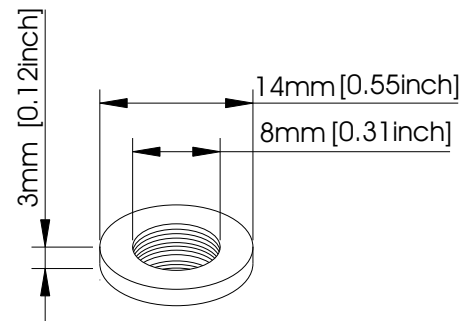
- |                    |                           |
|--------------------|---------------------------|
| Telecommunications | Medical Equipment         |
| Cable Television   | UPS                       |
| Electric Utility   | Railroad Utility          |
| Control Equipment  | Photovoltaic System       |
| Security System    | Alternative Energy System |

**General Features**

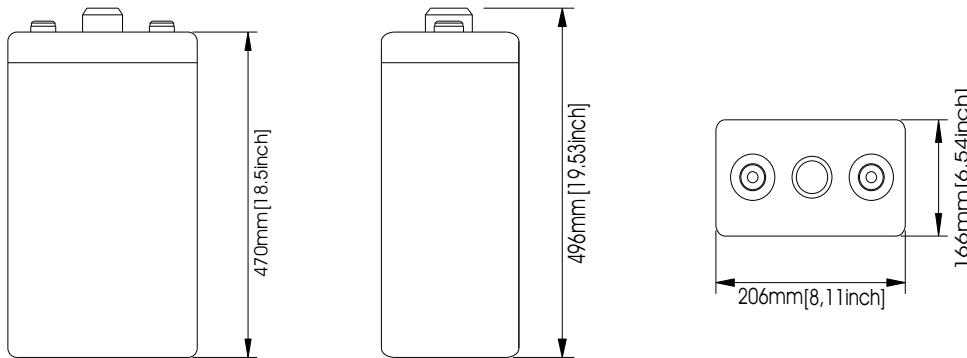
- Sealed and maintenance free operation.
- Non-Spillable construction design.
- ABS containers and covers(UL94HB, UL94V-0) optional.
- Safety valve installation for explosion proof.
- High quality and high reliability.
- Super long service life.
- Lowest self discharge characteristic.
- Super reliability.

**Construction**

- |                 |              |                    |                      |
|-----------------|--------------|--------------------|----------------------|
| Component ..... | Raw material | Sealant .....      | Epoxy Resin          |
| Positive .....  | Lead dioxide | Safety valve ..... | EPDR                 |
| Negative .....  | Lead         | Terminal .....     | Copper               |
| Container ..... | ABS          | Separator .....    | PVC-SiO <sub>2</sub> |
| Cover .....     | ABS          | Electrolyte .....  | Sulfuric acid        |
|                 |              |                    | Thixotropic Gel      |

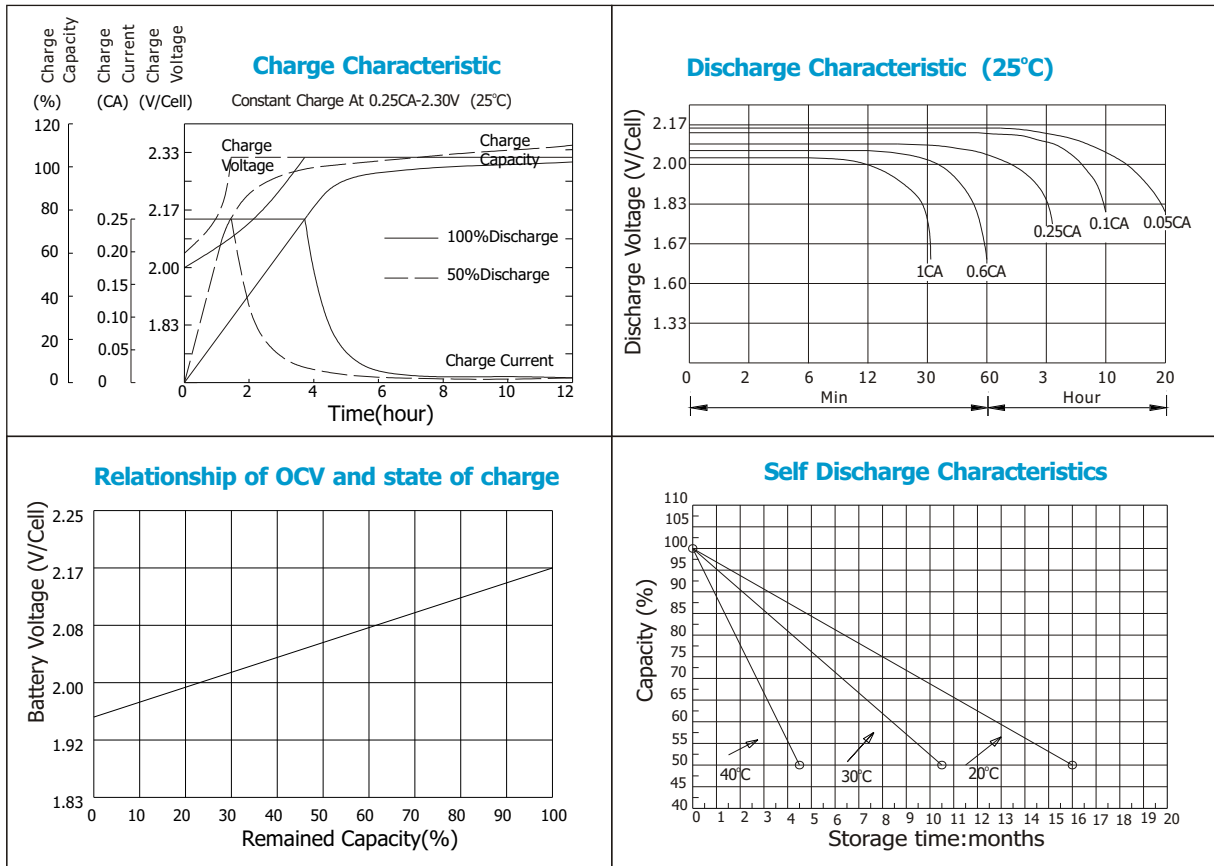


**Terminal Dimensions**



Battery Model	OPzV 2-500			
Designed Floating Life	15 Years			
Capacity(25°C)	20HR(26A,1.75V)	10HR(50A,1.75V)	5HR(83.6A,1.75V)	1HR(310A,1.75V)
	520AH	500AH	418AH	310AH
Dimensions	Length	Width	Height	Total Height
	166mm(6.54inch)	206mm(8.11inch)	470mm(18.5inch)	496mm(19.53inch)
Approx. Weight	42Kg (92.61 lbs)			
Internal Resistance	Full charged at 25°C: 0.00065 Ohm			
Self Discharge	3% of capacity declined per month at (25°C)			
Capacity Affected by Temp.(20HR)	40°C	25°C	0°C	-15°C
	102%	100%	85%	65%
Charge Voltage(25°C)	Cycle use		Float use	
	2.3V-2.35V(-5mV/ °C), max. Current: 100A		2.25-2.27V(-3.3mV/ °C)	

**Opzv Series SLA Battery**



**Constant current discharge ratings-amperes at 25°C**

F.V/Time	15MIN	30MIN	1HR	2HR	3HR	5HR	8HR	10HR	20HR
1.70V	572	437	283	175	129	90.0	62.0	52.0	30.4
1.75V	515	406	274	171	127	88.2	61.6	51.8	30.3
1.80V	448	371	259	164	123	86.5	60.5	50.0	30.3
1.83V	406	342	245	159	119	84.0	59.5	49.7	30.2
1.87V	350	303	237	159	121	85.0	60.8	48.0	29.7
1.90V	292	273	203	137	106	74.5	55.0	46.0	27.2

**Constant power discharge ratings-watts at 25°C**

F.V/Time	15MIN	30MIN	1HR	2HR	3HR	5HR	8HR	10HR	20HR
1.70V	936	762	511	343	231	158	112	95.3	57.0
1.75V	825	711	477	333	230	156	112	95.0	56.1
1.80V	685	634	467	301	225	153	110	93.6	56.0
1.83V	600	555	442	300	221	147	105	93.5	56.0
1.87V	538	468	429	293	220	147	104	88.8	55.0
1.90V	520	500	388	247	180	127	95.0	85.8	50.7

