

OPzV Series SLA Battery

Opzv Series

Bosfa Opzv Series Valve Regulated Lead Acid batteries are designed with a proven combination of GEL and Tubular technologies to offer a very high lever of reliability. Opzv batteries benefit from an optimized plate design which gives capacities in excess of the DIN standard values. In addition, this series offers both a longest float life and a high cycle life in widely industrial field.

Application

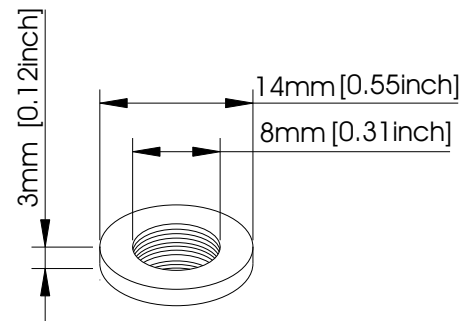
- | | |
|--------------------|---------------------------|
| Telecommunications | Medical Equipment |
| Cable Television | UPS |
| Electric Utility | Railroad Utility |
| Control Equipment | Photovoltaic System |
| Security System | Alternative Energy System |

General Features

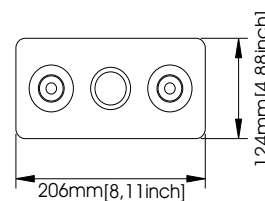
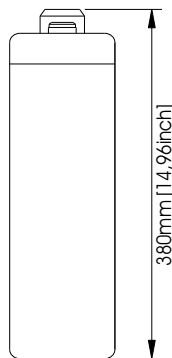
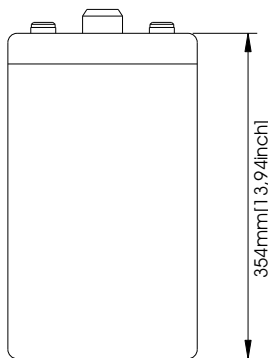
- Sealed and maintenance free operation.
- Non-Spillable construction design.
- ABS containers and covers(UL94HB, UL94V-0) optional.
- Safety valve installation for explosion proof.
- High quality and high reliability.
- Super long service life.
- Lowest self discharge characteristic.
- Super reliability.

Construction

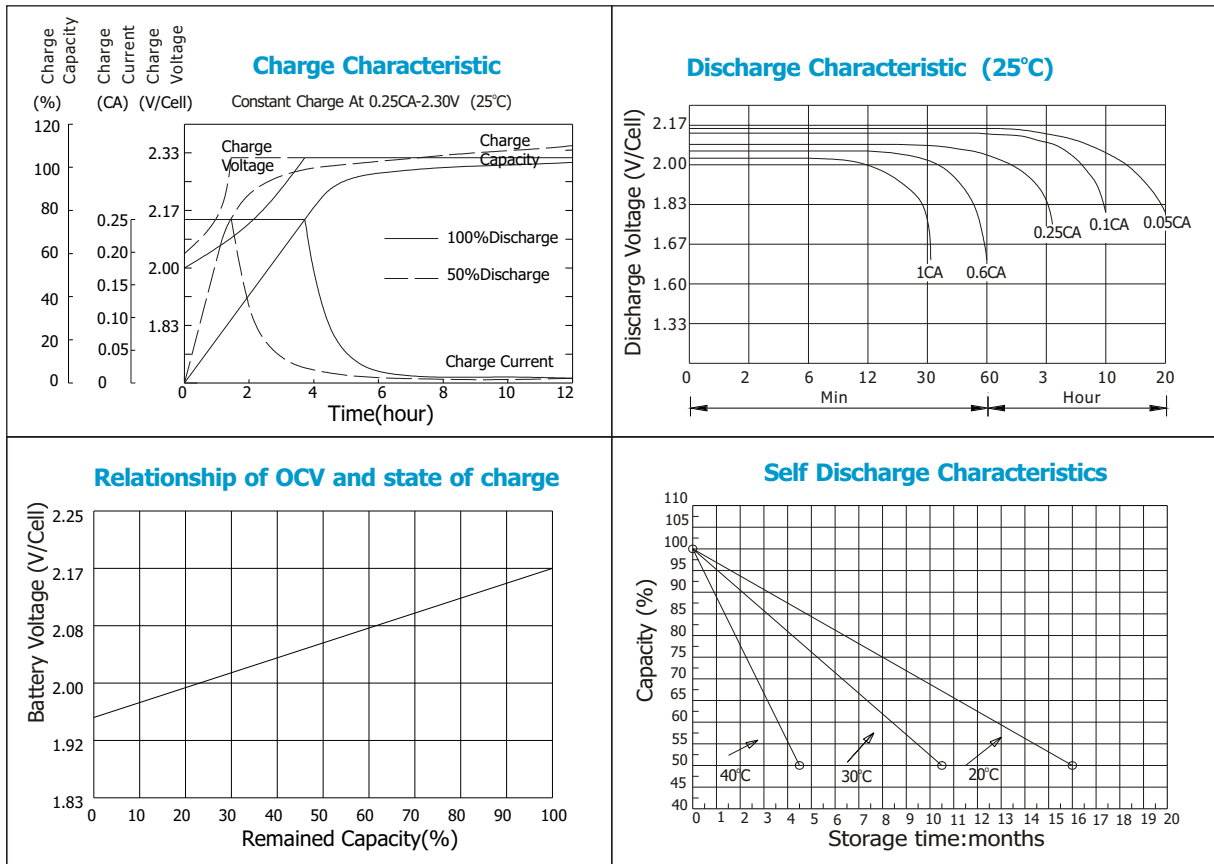
- | | | | |
|-----------------|--------------|--------------------|----------------------------------|
| Component | Raw material | Sealant | Epoxy Resin |
| Positive | Lead dioxide | Safety valve | EPDR |
| Negative | Lead | Terminal | Copper |
| Container | ABS | Separator | PVC-SiO ₂ |
| Cover | ABS | Electrolyte | Sulfuric acid
Thixotropic Gel |



Terminal Dimensions



Battery Model	OPzV 2-250			
Designed Floating Life	15 Years			
Capacity(25°C)	20HR(13A,1.75V)	10HR(25A,1.75V)	5HR(42.5A,1.75V)	1HR(150A,1.75V)
	260AH	250AH	212.5AH	150AH
Dimensions	Length	Width	Height	Total Height
	124mm(4.88inch)	206mm(8.11inch)	354mm(13.94inch)	380mm(14.96inch)
Approx. Weight	24 Kg (52.92 lbs)			
Internal Resistance	Full charged at 25°C: 0.0008 Ohm			
Self Discharge	3% of capacity declined per month at (25°C)			
Capacity Affected by Temp.(20HR)	40°C	25°C	0°C	-15°C
	102%	100%	85%	65%
Charge Voltage(25°C)	Cycle use		Float use	
	2.3V-2.35V(-5mV/ °C), max. Current: 50A		2.25-2.27V(-3.3mV/ °C)	



Constant current discharge ratings-amperes at 25°C

F.V/Time	15MIN	30MIN	1HR	2HR	3HR	5HR	8HR	10HR	20HR
1.70V	312	215	138	83.5	62.5	42.5	30.5	26.0	16.5
1.75V	284	206	138	82.0	62.5	42.5	30.0	26.0	16.5
1.80V	253	192	128	79.5	62.5	41.5	29.0	25.0	15.9
1.83V	232	182	123	77.5	58.5	41.0	29.0	24.0	15.3
1.87V	204	165	114	73.0	56.0	39.0	27.0	23.0	14.9
1.90V	184	150	106	69.0	53.0	38.0	26.0	22.0	13.3

Constant power discharge ratings-watts at 25°C

F.V/Time	15MIN	30MIN	1HR	2HR	3HR	5HR	8HR	10HR	20HR
1.70V	521	369	290	152	125	93.8	65.1	53.7	34.1
1.75V	457	362	263	147	125	92.1	63.2	52.7	33.4
1.80V	425	355	244	149	123	88.9	60.7	50.0	31.9
1.83V	389	329	232	148	122	87.0	60.3	47.6	30.3
1.87V	363	307	228	146	120	86.3	56.5	46.5	30.1
1.90V	344	276	217	142	118	85.2	56.3	45.7	27.6

